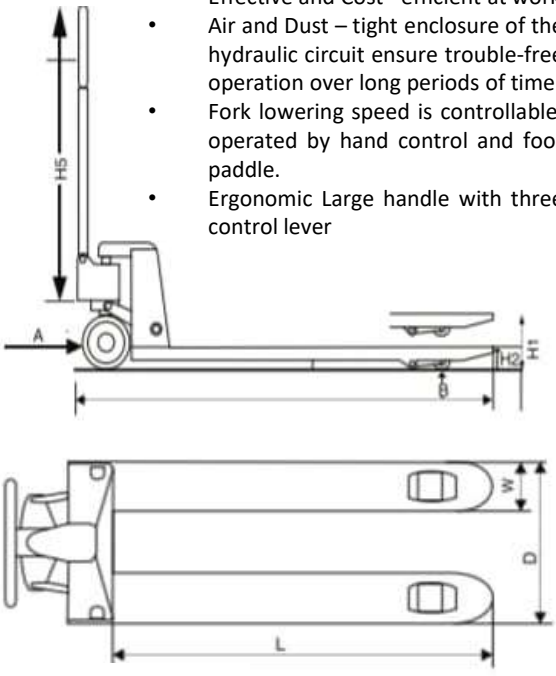


Hand Pallet Truck - (3 Ton)



- Effective and Cost - efficient at work
- Air and Dust – tight enclosure of the hydraulic circuit ensure trouble-free operation over long periods of time.
- Fork lowering speed is controllable, operated by hand control and foot paddle.
- Ergonomic Large handle with three control lever



SI No	Description	Specification
1	Model No	STW/HPT/3T/550
2	Load Capacity / Rated Load	3000 Kg
3	Lift Height (H1)	195 mm
4	Lowered Fork Height (H2)	85 mm
5	Pump	Integrated Pump
6	Wheel (Drive / Load) Type	Nylon / PU
7	Size of Steering Wheel (A)	180x50mm
8	Size of Loading Wheel (B)	80x70mm
9	Width Across Fork (D)	550 mm
10	Fork Length (L)	1150 mm
11	Fork Width (W)	160 mm
12	Height of Tiller (H5)	1220mm

