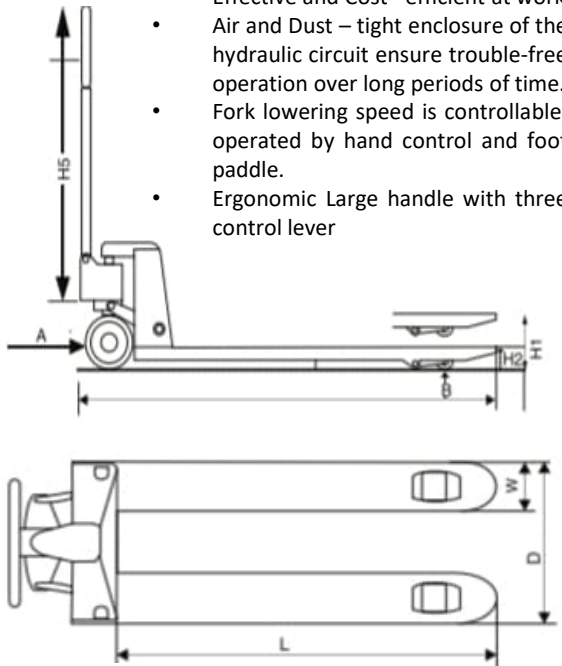


Hand Pallet Truck Weighing Scale - (2 Ton)



- Effective and Cost - efficient at work
- Air and Dust – tight enclosure of the hydraulic circuit ensure trouble-free operation over long periods of time.
- Fork lowering speed is controllable, operated by hand control and foot paddle.
- Ergonomic Large handle with three control lever



SI No	Description	Specification
1	Model No	STW/HPT-WS/2T/550
2	Load Capacity / Rated Load	2000 kg
3	Lift Height	195 mm
4	Lowered Fork Height	85 mm
5	Pump	Integrated Pump
6	Wheel (Drive / Load) Type	Nylon / PU
7	Width across Fork	550 mm
8	Fork Length	1150 mm
9	Fork Width	160 mm
10	Battery Voltage	6 V
11	Battery Capacity	4 Ah

